

Cryocooler 10W@77K

TC4189

The TC4189 cryocooler integrates linear compressor with dual opposed gas bearing pistons, and a pulse tube cold finger with dual opposed ambient displacers as the phase shifter. More than 10 W cooling power can be delivered at 77 K tip temperature. It is for applications where the efficiency is one of the key concerns

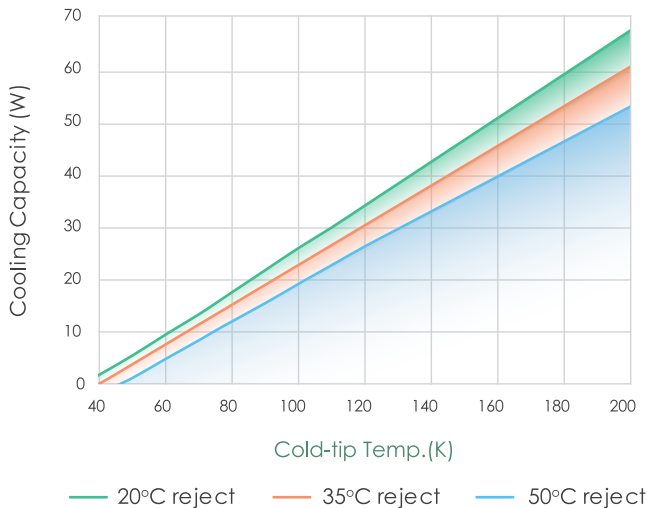


Features

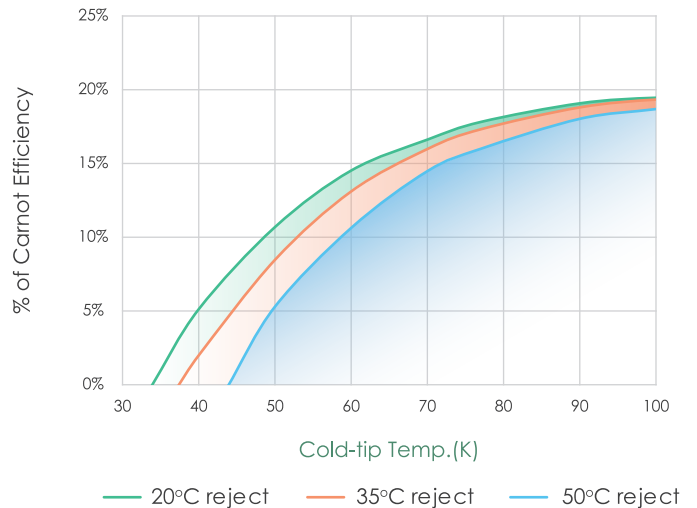
- 1** Dual opposed gas bearing pistons driven by linear motors, high MTF (>50000 hrs)
- 2** Pulse tube cold finger integrated with dual opposed ambient displacers, acoustic power recovery and high efficiency
- 3** Integral configuration, easy to use
- 4** Motor stator isolated from gas chamber, higher reliability
- 5** Ideal for 24/7 operation

Typical performance

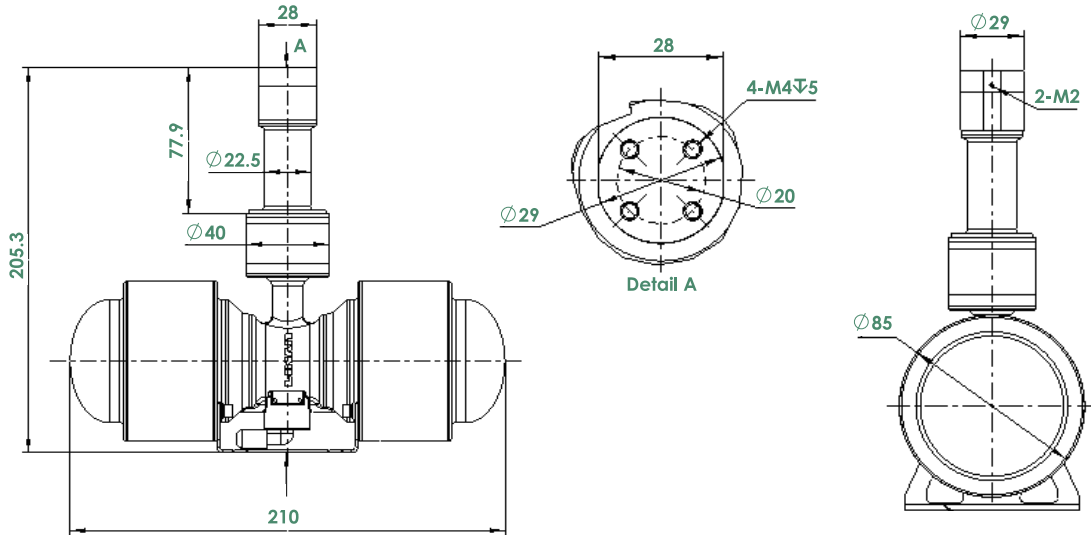
Cooling Capacity vs. Temperature
240 W Input Power



Percentage of Carnot Efficiency
240 W Input Power

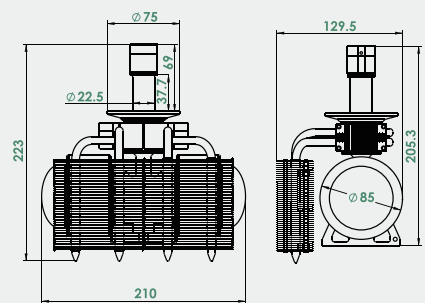
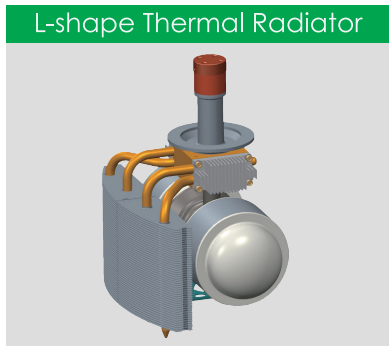
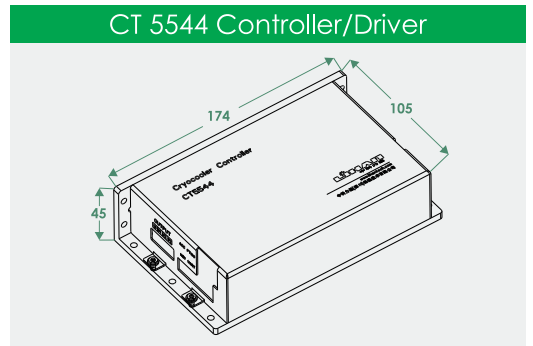
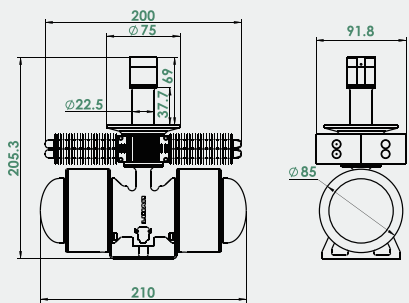
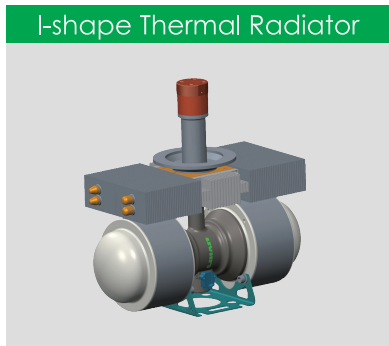


Specifications and Dimensions



Operating Temperature	-20°C ~ +50°C
Nominal Input Power	160W
Nominal Cooling Capacity (20°C reject)	10W@77K
Max. Cooling Capacity (20°C reject)	16W@77K
Power Supply	DC48V
Lowest Temperature	45K
Weight	4.5kg
Temperature Stability	± 0.1K
Orientation	Any

Radiator and Controller



For more information:

Call : +86 755 26985788 Email : sales@lihan.com
 Web : www.lihan.com
 Add.: 3/F, Bldg. 4, Pingshan Minqi Industrial Park,
 Lishan Rd., Nanshan, Shenzhen, 518055, China

*All dimensions in mm. Data subject to change without notice.