

Cryocooler

TC4187 TC4188

The TC4187/TC4188 cryocooler integrates linear compressor with dual opposed gas bearing pistons, and a pulse tube cold finger with an acoustic phase shifter.

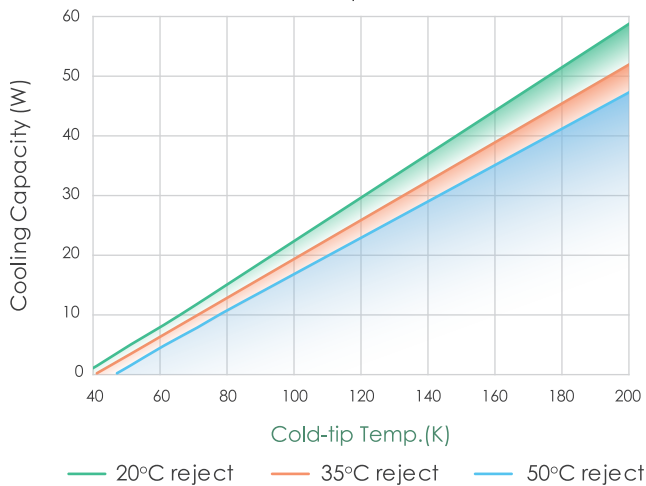


Features

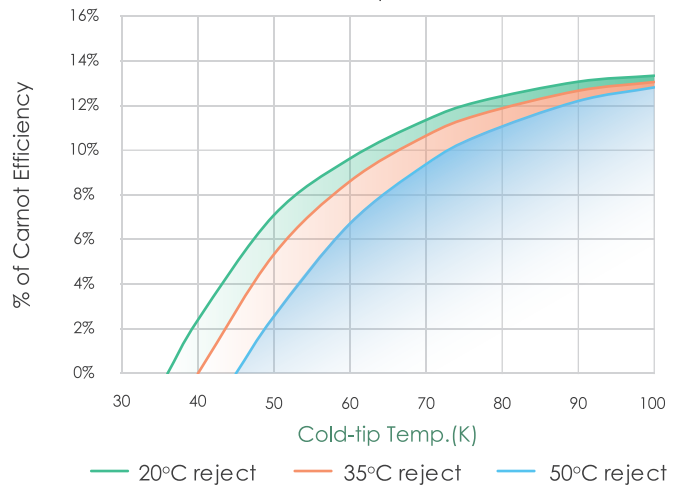
- 1** Dual opposed gas bearing pistons driven by linear motors, high MTTF (> 50000 hrs)
- 2** Pulse tube cold finger with an acoustic phase shifter, high reliability, low vibration
- 3** Integral configuration, easy to use
- 4** Ideal for 24/7 operation

Typical performance

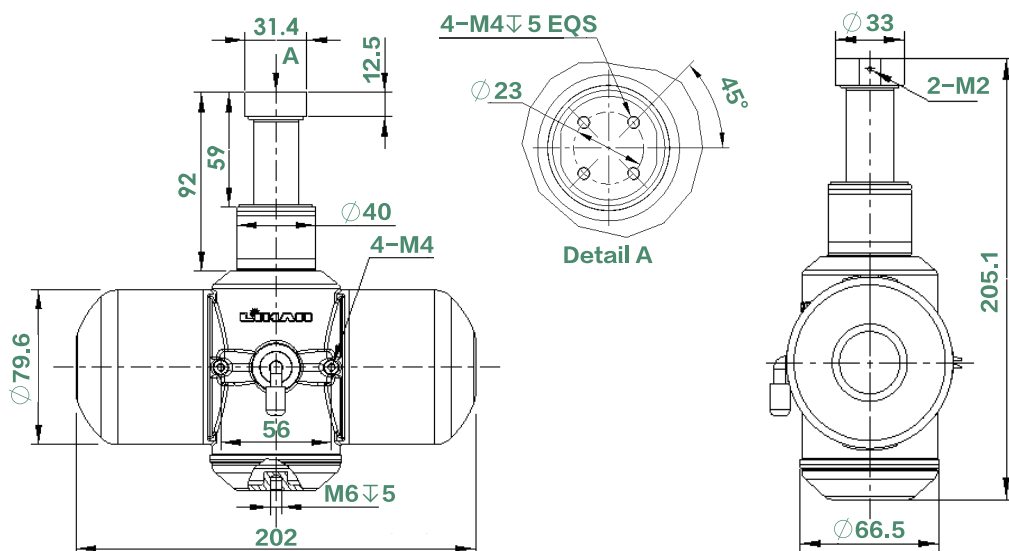
Cooling Capacity vs. Temperature
320 W Input Power



Percentage of Carnot Efficiency
320 W Input Power

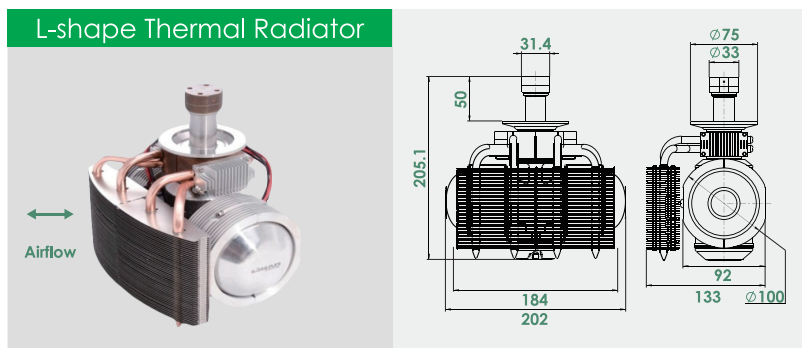
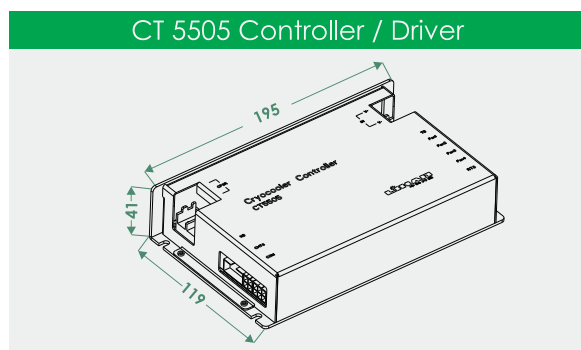
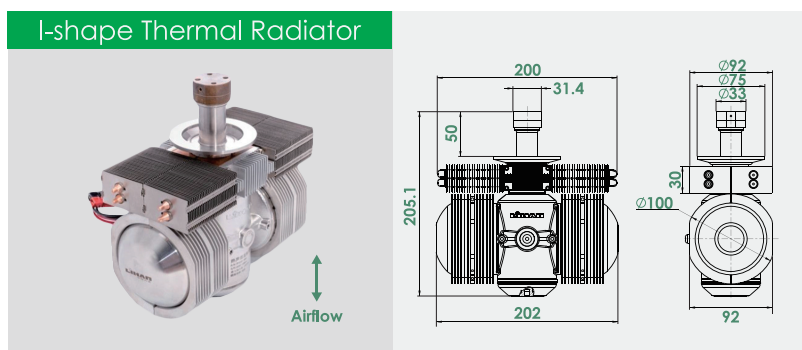


Specifications and Dimensions



Model	TC4187	TC4188
Operating Temperature	-20°C ~ +50°C	-20°C ~ +50°C
Nominal Input Power	240W	300W
Nominal Cooling Capacity (20°C reject)	10W@77K	15W@77K/2W@40K
Max. Cooling Capacity(20°C reject)	14W@77K	17W@77K
Power Supply	48V DC	48V DC
Lowest Temperature	45K	30K
Weight	4.4kg	4.4kg
Temperature Stability	± 0.1K	± 0.1K
Orientation	Any	Any

Radiator and Controller



For more information:

Call : +86 755 26985788

Email : sales@lihan.com

Web : www.lihan.com

Add.: 3/F, Bldg. 4, Pingshan Minqi Industrial Park,
Lishan Rd., Nanshan, Shenzhen, 518055, China

*All dimensions in mm. Data subject to change without notice.